

# shadowFIX<sup>®</sup>

concealed panel fixing *made easy*

## Installation Guide

### What is shadowFIX?

shadowFIX is a concealed fixing system for plywood panels on walls and ceilings. The grooved plywood panels are fixed using a plastic tongue and screws that clamp the plywood on all 4 sides. Additionally the plywood panels are adhered along the centre line using Tec7 X-Tack Glue.

**NOTE** - shadowFIX is only recommended for installation on TIMBER battens. If steel batten material is used, we recommend using our full adhesion system designed with Tec7. Please ask our sales staff for more information on the Tec7 X-Tack full adhesion system.

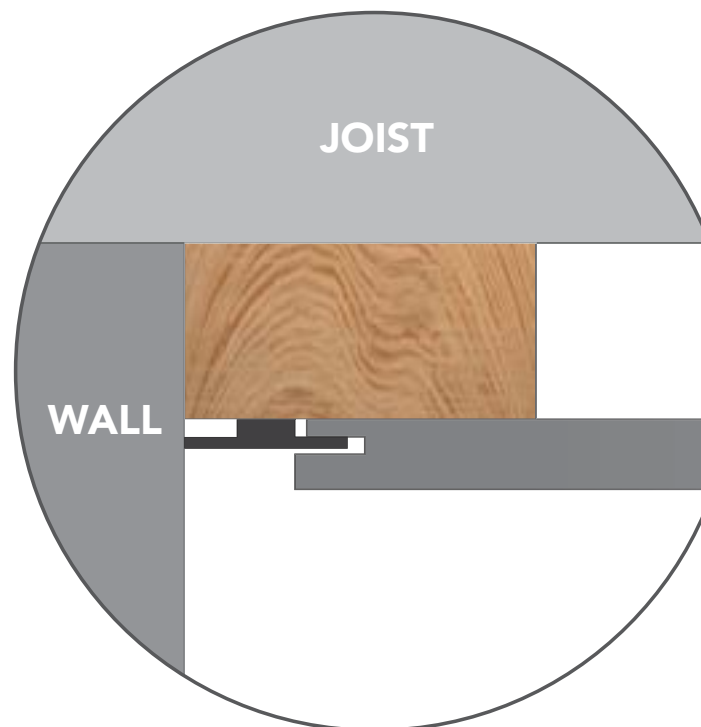
### What tools and material do I need?

#### For wall installations:

- Austral Plywoods 12.5mm grooved plywood panel
- shadowFIX plastic tongue (pre-drilled and countersunk)
- stainless steel 8G 25mm screws, black painted heads
- shadowFIX toggle (for consistent panel spacing)
- shadowFIX router bit (for grooving the plywood on cut sections)
- ariaply sealer (for sealing raw cut edges of plywood)
- Router
- Power saw with blade suitable for fine cutting
- Power drill
- 8G countersink bit
- 4.5mm drill (clearance hole)
- Tec7 X-Tack Glue (black or white)
- ShadowFIX is designed for 2400x1200x12.5mm plywood panels on timber batons only
- Tec7 Gun

#### For ceilings the following will also be required:

- Tec7 290ml X-Tack Glue (black or white)
- Tec7 Gun
- Tec7 Multiclean Foam Spray 500ml

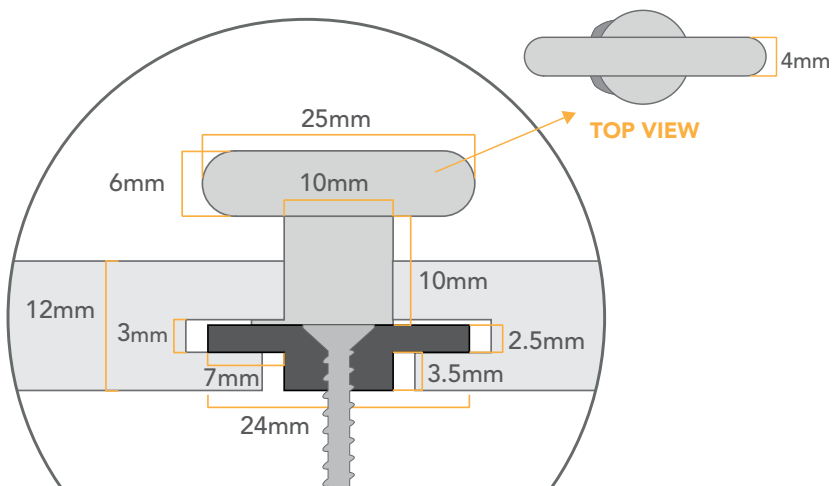
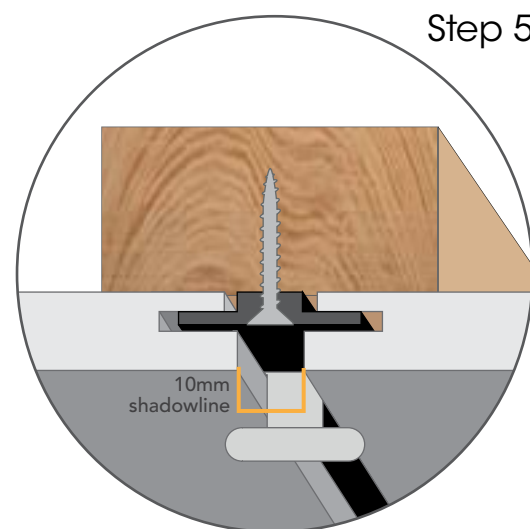
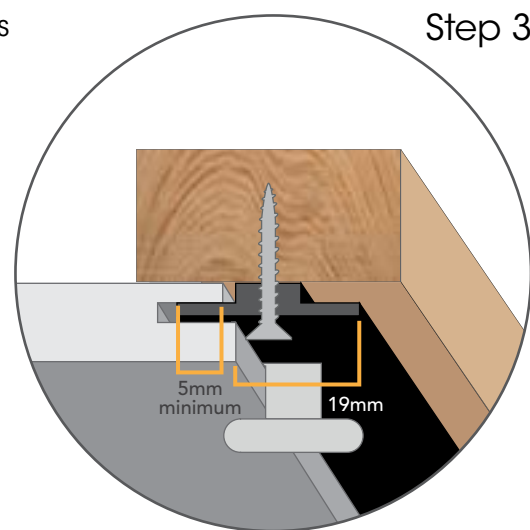
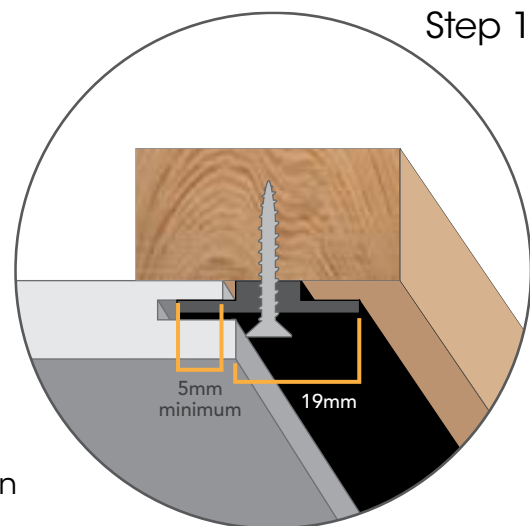


# shadowFIX<sup>®</sup>

concealed panel fixing *made easy*

## Installation Guide

1. shadowFIX is fastened with 8G x 25mm countersunk, full thread stainless steel screws. Fit the shadowFIX plastic tongue into the groove of the plywood panel and screw it using the pre-drilled countersunk holes. The screws will sit flush with the plastic tongue when fastened correctly. If additional holes are required, pre-drill (at slow speed) the face of the fixing strip with a 4.5mm drill followed by 8G countersink bit to allow the screw to sit flush. It is important the hole is drilled on the centre line of the plastic tongue. If the plywood is installed on a ceiling, the centre of the panel must also be attached to frame work using Tec7 X-Tack Glue. Please see instructions for correct use of Tec7 X-Tack Glue at the end of this guide.
2. When screwing shadowFIX to framework, ensure screw is not fully tensioned to allow the panel to easily slide into position.
3. After securing first panel, insert spacing toggle and twist to lock into position.
4. Slide second panel over shadowFIX and hard against the spacing toggle.
5. Once second panel is in the correct position, screw off shadowFIX and remove toggle by twisting out of position.



# shadowFIX<sup>®</sup>

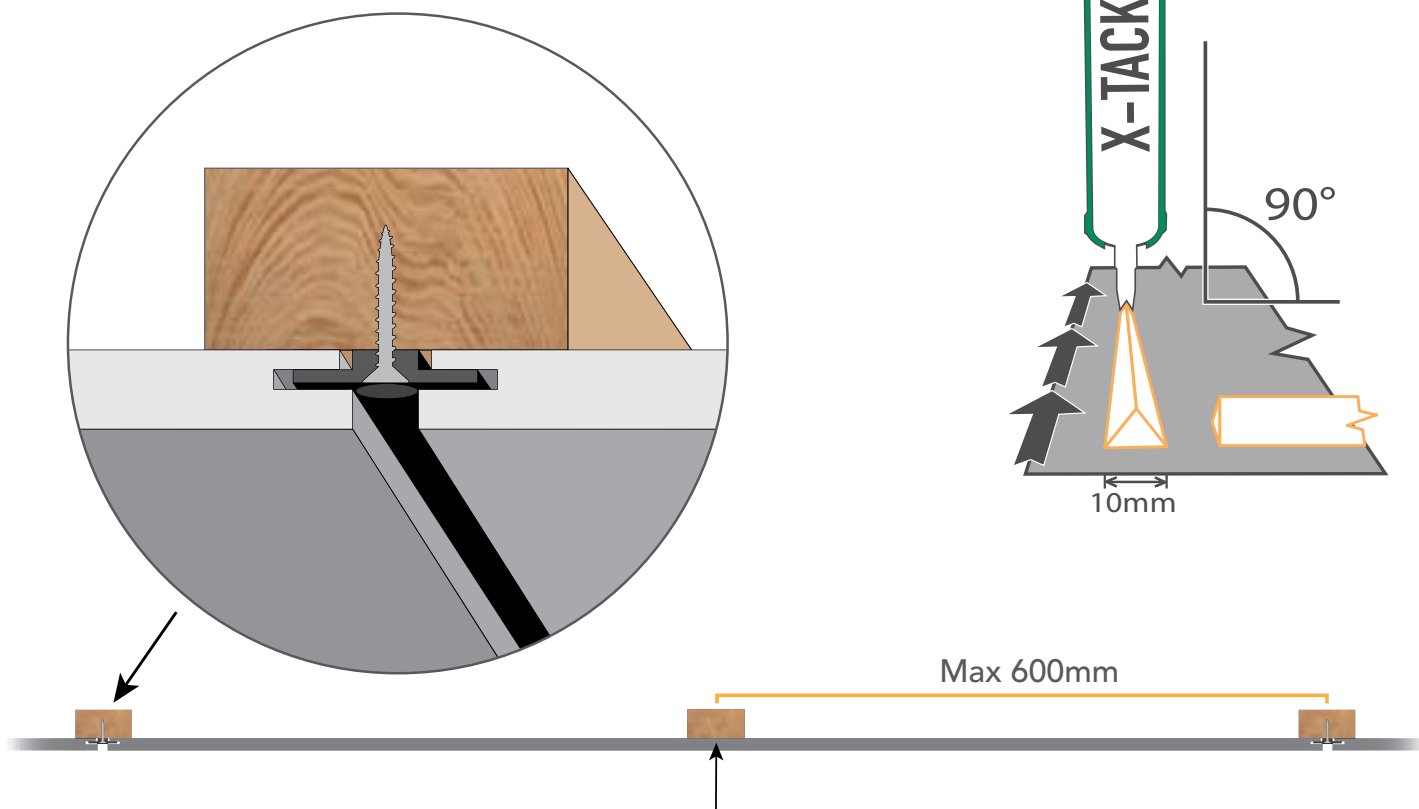
concealed panel fixing *made easy*

## X-Tack Glue installation

For preparation of Ariaply and ceiling structure use Multiclean foam spray. Shake can well, apply to rear of Ariaply along centreline and leave to take effect for approximately 10 seconds, rub dry with a clean microfibre cloth or paper towel. Allow Multiclean foam spray to evaporate completely prior to bonding. If necessary repeat the process.

For preparation of ceiling structure follow the same process.

For application of X-Tack adhesive, hold cartridge gun with X-Tack tube at 90 degrees to the ceiling structure. Ensure V shaped cutout in nozzle is facing away from the direction you are moving the tube, leaving behind a 10mm continuous triangular shaped bead. Press Ariaply firmly where beads have been applied. Be sure to have surfaces bonded together within 5 minutes. Once Ariaply has been pressed in position, the optimum thickness for X-Tack is 1.5-3mm. Application temperature range is 5-40 degrees Celsius.



Fasten with Tec7 X-Tack Glue.  
Both surfaces must be cleaned first with Tec7 Multiclean Foam Spray.

# shadowFIX<sup>®</sup>

concealed panel fixing *made easy*

## Installation Guide - Set out

